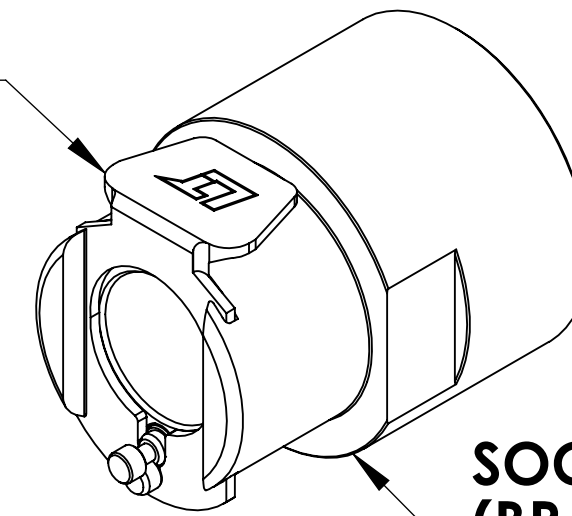
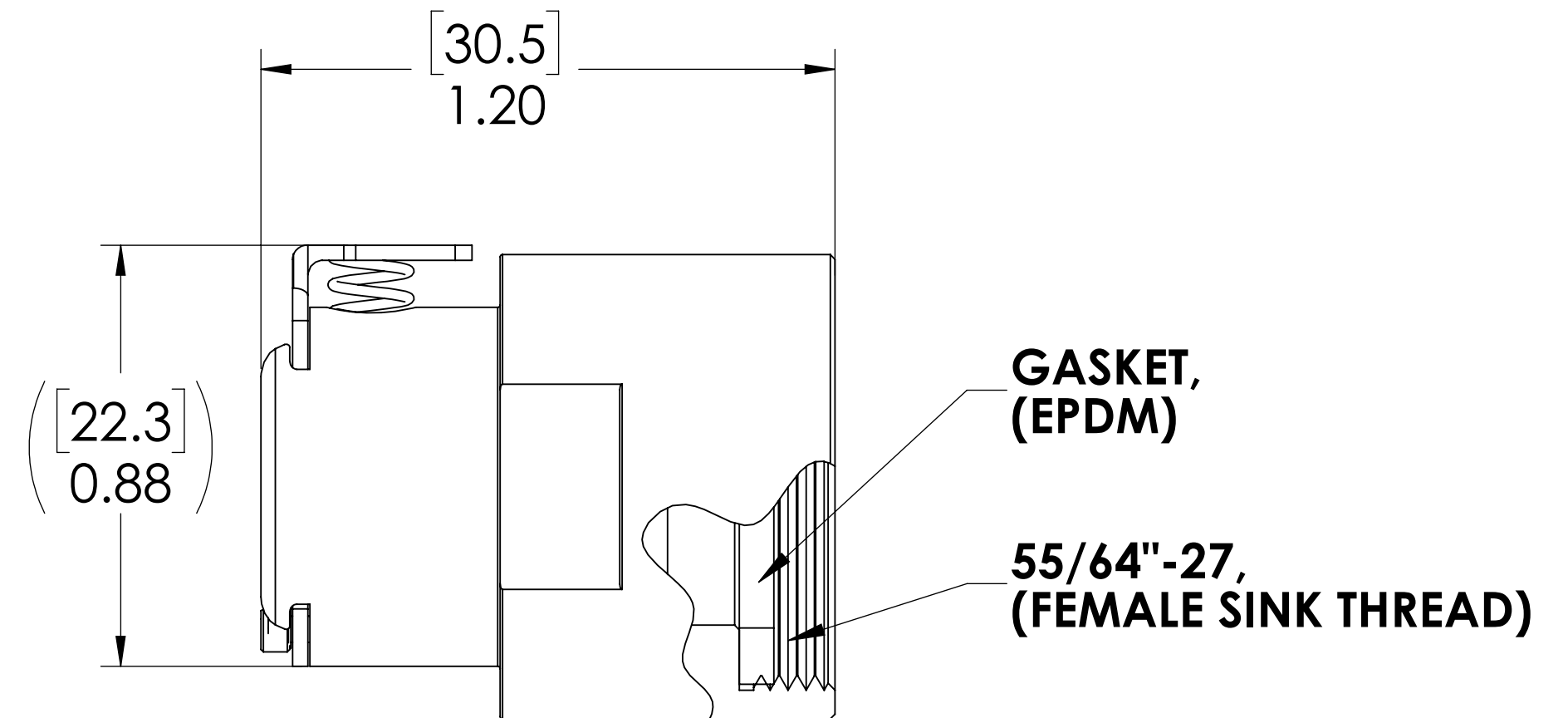
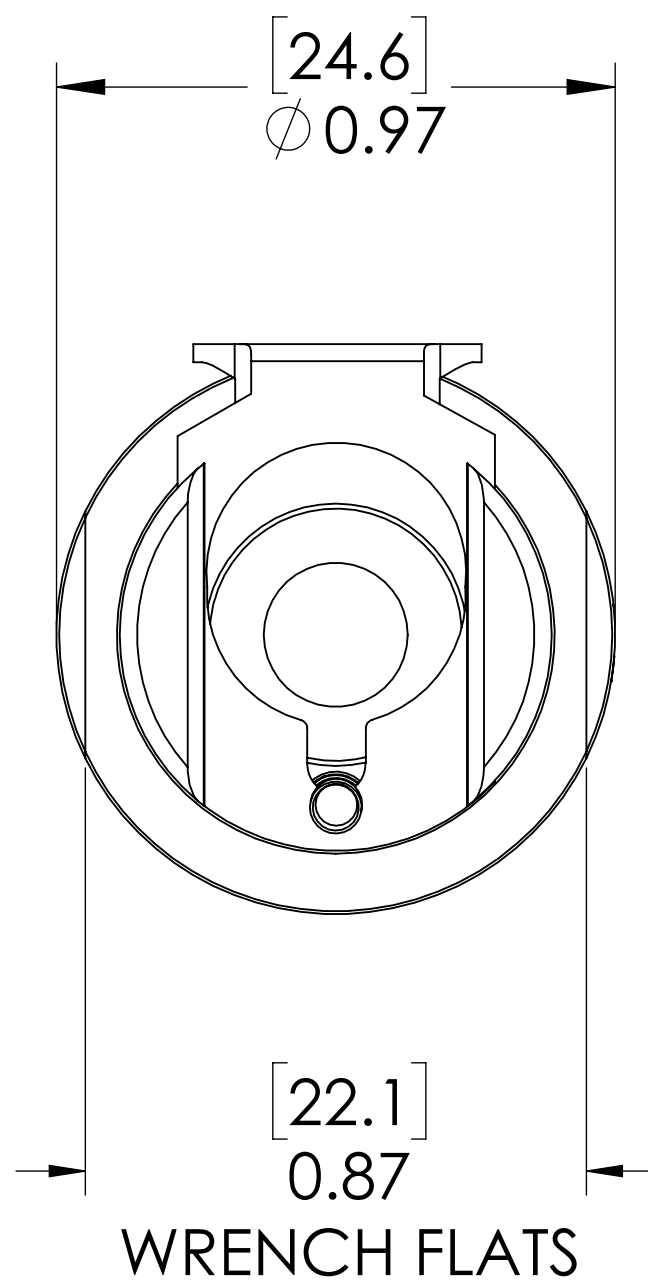


REVISIONS						
SHEET	ZONE	REV.	ECO	DESCRIPTION	DATE	APPROVED
1	D-4	A	-----	REMOVED GASKET PACKAGED SEPARATELY NOTE	7/31/2012	DHJ
ALL	ALL	A	50013	INITIAL RELEASE	09/07/12	DHJ
1	ALL	B	50242	PIN, PIN SPRING & 2017 FORMAT UPDATE	10/18/2018	HRC

**LATCH HARDWARE,
(STAINLESS STEEL)**



**SOCKET,
(BRASS, NICKEL
AND CHROME PLATED)**



**BODY CUT AWAY TO
SHOW THREADS AND GASKET**

- NOTES:**
1. MATERIAL: BRASS.
 2. COLOR: CHROME.
 3. GASKET MATERIAL: EPDM

FOR REFERENCE ONLY

<small>UNLESS OTHERWISE SPECIFIED: DIMENSIONS ARE IN INCHES TOLERANCES: FRACTIONAL ± 1/32 ANGULAR, MACH ± 0.5 BEND ± 2 ONE PLACE DECIMAL ± 0.1 TWO PLACE DECIMAL ± 0.01 THREE PLACE DECIMAL ± 0.005 TWO PLACE DUAL (mm) [± 0.12]</small>	DRAWN	RDA	7/10/2017	
	CHECKED	HRC	7/10/2017	
	ENG APPR.	HRC	10/18/18	
	MFG APPR.	BDB	10/18/18	
PRODUCTION	LS	10/18/18		PART NO: 40CB-S3559 DESCRIPTION: LinkTech 40CB Series Female, Non-valved, 55/64-27 Thread, Chrome Brass
<small>PROPRIETARY AND CONFIDENTIAL THE INFORMATION CONTAINED IN THIS DRAWING IS THE SOLE PROPERTY OF LINKTECH LLC. ANY REPRODUCTION OR DISCLOSURE IN PART OR AS A WHOLE WITHOUT THE WRITTEN PERMISSION OF LINKTECH LLC IS STRICTLY PROHIBITED.</small>				<small>SCALE: NTS WEIGHT: SHEET 1 OF 1</small>
<small>COMMENTS:</small>		<small>SIZE DWG. NO. REV</small> C 40CB400121 B		